

FCS KA12

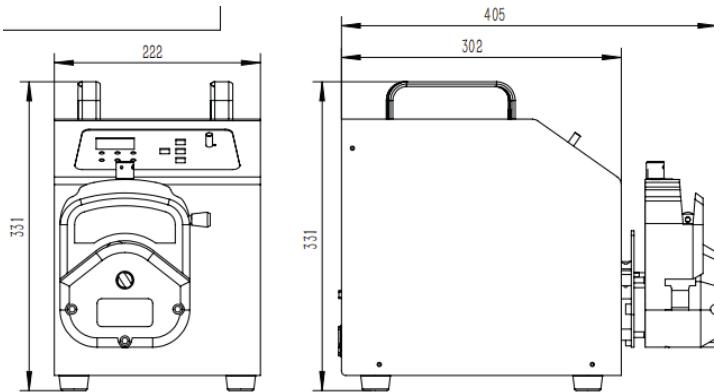
Basic Peristaltic Pump



Product Features

Closed-loop stepper motor drive, powerful and maintenance-free. 3 digital LED display motor speed, rotary encoded switch control. Suitable for industrial sites, transfer liquid with large flow and high precision.

Dimension Drawing (units: mm)



Product Composition & Flow Rate Range, YZ35

Tubing Sizes	ID x Wall (mm)	mL/R	Flow Rate (mL/min) (0.1-600rpm)	Max Pressure (PSI)		Weight	
				Intermittent	Continuous	Alum. Alloy	PPS
26"	6.4 x 3.3	6.9	0.69~4200 mL/min	35	30	4.36	1.50
73"	9.6 x 3.3	12.3	1.23~7400 mL/min	35	30	4.36	1.50
82"	12.7 x 3.3	20	2~12000 mL/min	20	15	4.36	1.50

Technical Specifications

Flow rate range	0.69~12000 mL/min
Speed resolution	0.1-600 rpm
Speed range	0-100 rpm, 0.1 rpm: 100-600 rpm, 1 rpm
Flow Rate Accuracy	<± 0.5%
Motor type	Closed-loop stepper motor
Display	3 digital LED
Control method	Mechanical keypad
Keypad lifetime	300,000 times
Speed control	Rotary encoded switch
External speed control signal	0-5V, 0-10V, 4-20mA
Start/stop, direction signal	Passive switch signal (foot pedal), Active switch signal: signal: 24V default
Communication interface	RS232, RS485 Modbus protocol (RTU mode)
Power supply	AC 220V±10%, 50Hz/60Hz (standard); AC 110V±10%, 50Hz/60Hz (optional)
Drive dimension	302L x 222W x 331H mm
Drive weight	13.14 kg
Power consumption	< 300W
Condition temp	0-40°C
Relative humidity	< 80%
IP Rate	IP31

