



FCS KA1 Compact Peristaltic Pump

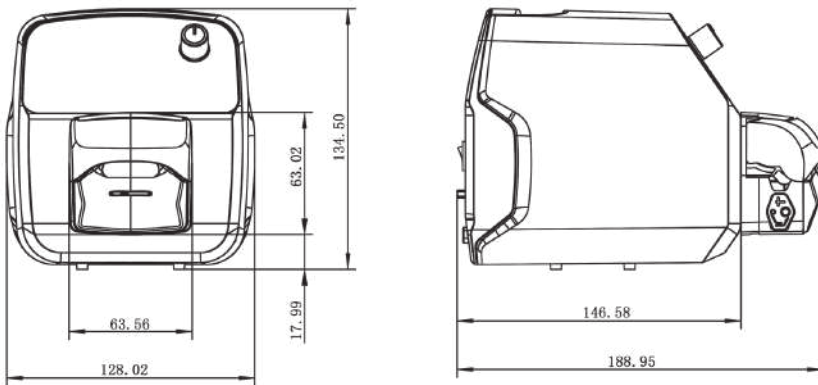
Product Introduction

Designed to be the next generation peristaltic pump. The FCS KA1 uses a high-tech stepper motor. This motor allows for high precision control for lower pulsation. An added benefit: it has no gearbox that can cause potential clean room contamination.

Features Include:

- ✓ Range of 0-326ml/m in one head
- ✓ Ultra low pulsation/stable flow
- ✓ RS485, 4-20ma, Modbus, switches
- ✓ Can accommodate 5 standard tube sizes
- ✓ 3500:1 turn down ratio
- ✓ 3 to 5 year warranty

Dimension Drawing (units: mm)



Technical Specifications

Speed range	0.1-350rpm
Speed resolution	0.1rpm
Control method	Mechanical keypad & digital knob
Display	2.4" LCD screen
External speed control signal	0-5V, 0-10V, 4-20mA
Output interface	Open-collector output
Power supply	Output: 24V/1.25A Input: AC100V-240V, 50Hz/60Hz
Start/stop, reversing signal	Switch signal (default is passive signal, active signal is optional)
Comm. Interface	RS485 (MODBUS protocol RTU mode)
Dimensions (mm)	188 x 128 x 135 (L x W x H)
Weight	1.1kg
Power Consumption	<30W
Temperature	0-40°C
Relative Humidity	<80%
IP rate	IP31

Product Composition & Flow Rate Range, Single Channel

Tube	ID x Wall (mm)	mL / r	Speed (rpm)	Flow Rate (mL/min)
13"	0.8 x 1.6	0.033	0.1~350	0.0033~11.55
14"	1.6 x 1.6	0.156	0.1~350	0.0156~54.60
19"	2.4 x 1.6	0.286	0.1~350	0.0286~100.10
16"	3.1 x 1.6	0.477	0.1~350	0.0477~166.95
25"	4.8 x 1.6	0.933	0.1~350	0.0933~326.55

